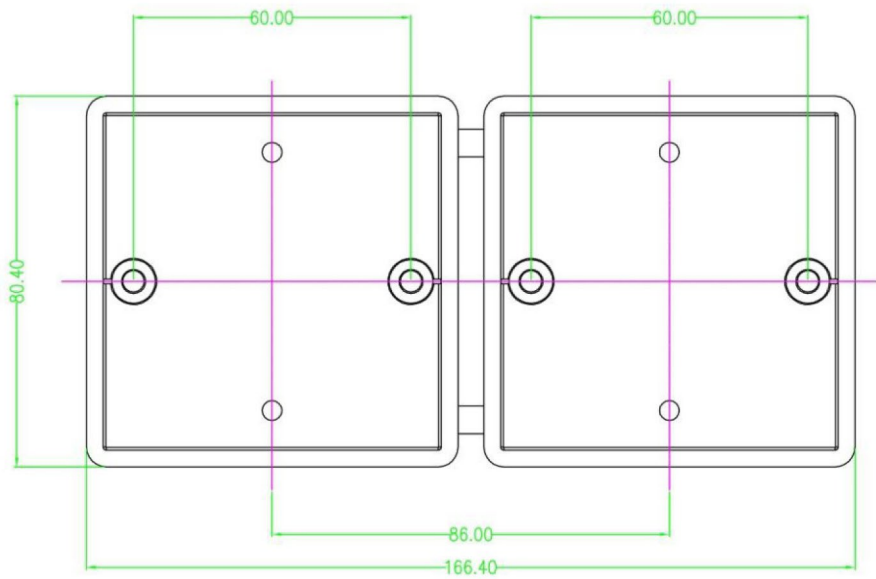
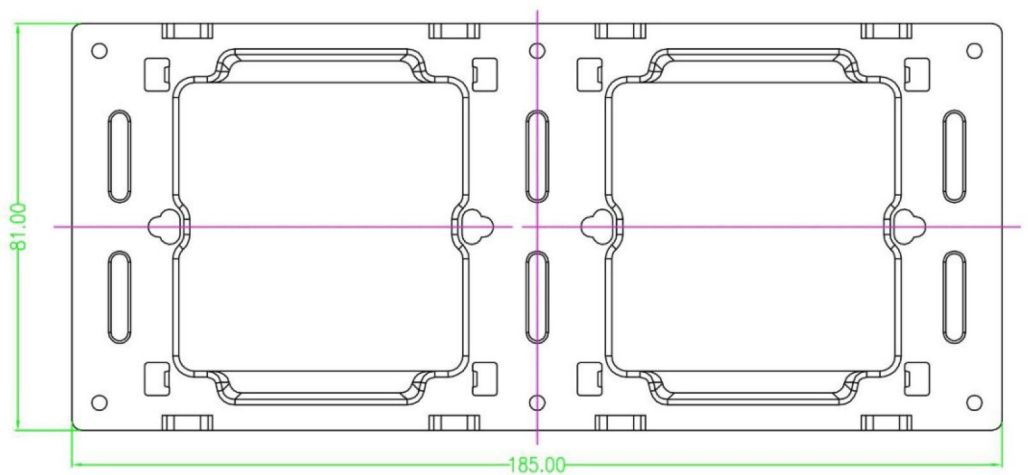


## FG1068 Wall Plate Flush Mount Bathroom Phone Installation Procedure

1. Install 2 units of standard 86 electrical base box\* as per measurement



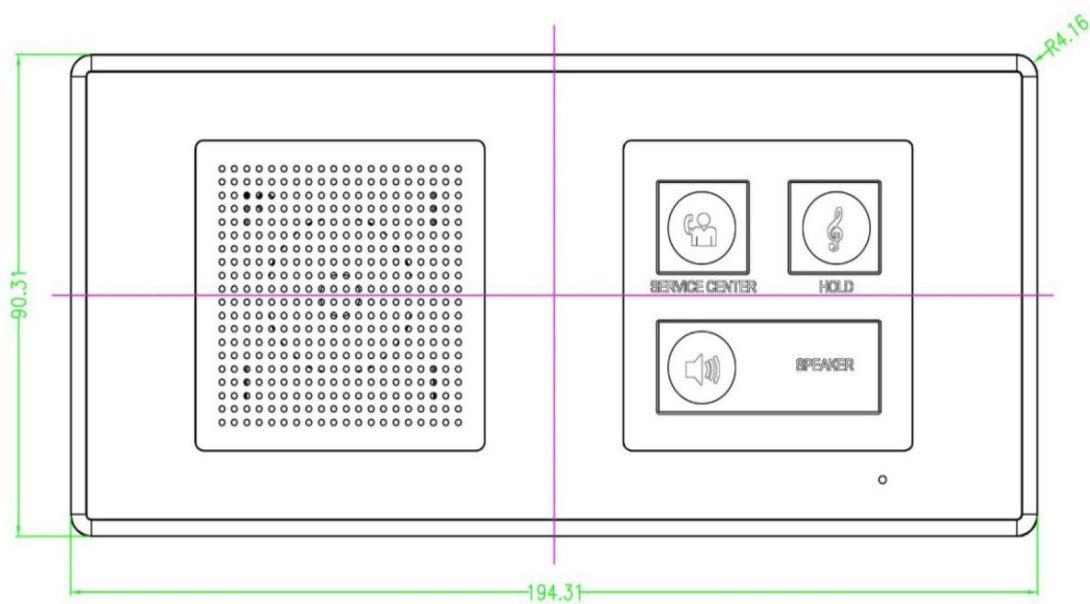
2. Screw in the clip-in plate (provided with the faceplate wall-mount phone)



3. Connect the telephone wires to the back green connector



4. Mount the faceplate wall-mount phone by clipping onto the clip-in plate after fasten the telephone wire to the back connector.





**Note: Standard 86 electrical base box is NOT INCLUDED as part of the faceplate wall-mount phone. The 86 base box is a standard electrical item and can be purchased from any electrical accessories or hardware shop in the local market.**

## **COTELL PRODUCT SUPPORT**

All support queries should be directed to:

Email: [support@hotel-tech.com](mailto:support@hotel-tech.com)  
Telephone: +44(0) 203 405 1200  
Fax: +44(0) 203 411 6610  
Website: [www.cotellhotelphones.com](http://www.cotellhotelphones.com)  
Sales: [sales@hotel-tech.com](mailto:sales@hotel-tech.com)



Hotel Technology International Ltd

© Hotel Technology International Limited. 2022 All Rights Reserved